

Samsung Electronics *NET I*



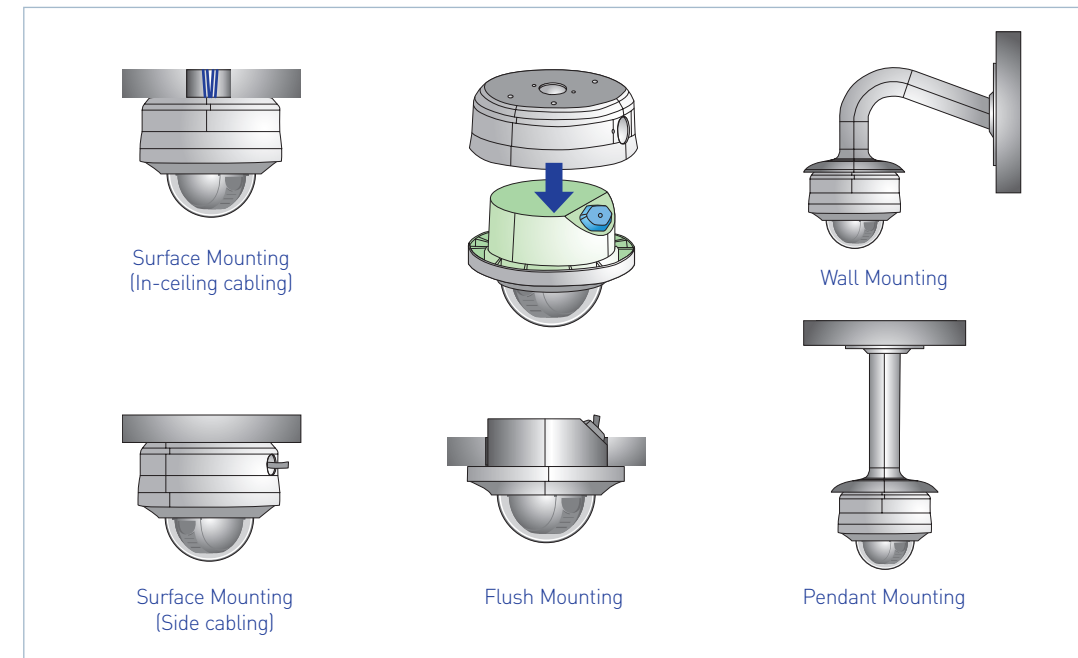
H.264 Anti-Vandal Dome Network Camera
SNC-B5399

KEY Features

- Anti-Vandal Dome Housing (IP66 Grade)
- 2.8-11mm Vari-Focal Lens
- Fan/Heater built-in for Outdoor Installation
- Real-time 30(25)fps at High Resolution(4CIF)
- H.264, MPEG-4 & MJPEG Multiple Encoding
- Progressive Scan
- WDR (Wide Dynamic Range)
- True Day and Night Function (IR Cut Filter)
- Bi-directional Audio Support
- SD Memory Slot for Internal Recording
- Intelligent Video Analytics
- XDR (eXtended Dynamic Range)
- Motion Adaptive DNR (Dynamic Noise Reduction)
- Privacy Mask (12ea)
- DIS (Digital Image Stabilizer)
- PoE (Power over Ethernet)



Variable Mounting Options



Mounting Accessories for SNC-B5399





Camera Specifications

ITEMS	SUB-ITEMS		SNC-B5399	
Camera Type	Color/BW		Color	
Image	Device		Super-HAD PS CCD	
	Size		1/3 inch	
	Scan		Progressive Scan (When WDR ON, Interlaced Scan)	
	Pixels	Total	NTSC : 811 x 508 / PAL : 795 x 596	
Effective		NTSC : 768 x 494 / PAL : 752 x 582		
Scanning	Horizontal Frequency	Internal Mode	NTSC : 15,734 Hz / PAL : 15,625 Hz	
		Line-lock Mode	NTSC : 15,750 Hz / PAL : 15,625 Hz	
	Vertical Frequency	Internal Mode	NTSC : 59.94 Hz / PAL : 50 Hz	
		Line-lock Mode	NTSC : 60 Hz / PAL : 50 Hz	
Min. Scene Illumination@ F1.2	Color	Sens Off	0.12 Lux(15 IRE), 0.2 Lux(30 IRE), 0.4Lux(50 IRE)	
		Sens Up 512x	0.00023 Lux(15 IRE), 0.0005 Lux(30 IRE), 0.0008Lux(50 IRE)	
	B/W	Sens Off	0.012 Lux(15 IRE), 0.02 Lux(30 IRE), 0.04Lux(50 IRE)	
		Sens Up 512x	0.00023 Lux(15 IRE), 0.0005 Lux(30 IRE), 0.0008Lux(50 IRE)	
Functions (OSD Menu)	Number of Privacy Zone		12 [Polygonal Method]	
	Day/Night		Color / BW / AUTO / EXT [IR Cut Filter]	
	eXtended Dynamic Range(XDR)		Off/On (Level Setting)	
	Wide Dynamic Range (WDR)		NTSC : Off/On (128x) / PAL : Off/On (160x)	
	D-Zoom		1x ~ 16x (0.1x STEP)	
	PIP		Off/On	
	High Speed Shutter		NTSC : 1/60 ~ 1/10Ksec / PAL : 1/50 ~ 1/10Ksec	
	Flickerless		Off/On	
	Sens Up		2x ~ 512x	
	BLC		Off/On (Area Setting)	
	AGC		Off/On (Max.Level Setting)	
	White Balance		ATW1/ATW2/AWC/MANUAL	
	Digital Noise Reduction (DNR)		Off/On (Adaptive 3D+2D)	
	Digital Image Stabilizer(DIS)		Off/On	
	Camera ID		Off/On (Max.54ea/2Line)	
	Etc. Function		Detail, Reverse(H/W), Posi/Nega	
	Resolution	Horizontal		600 TV Lines
Vertical		350 TV Lines		
Video Output	VBS 1.0Vp-p		VBS 1.0Vp-p	
S/N Ratio	S/N Ratio		52 dB	
Lens	Focal Length		2.8~11mm	
	Zoom Ratio		3.9x	
	Aperature Ratio		F1.2	
	Viewing Angle	Tele	28.8°(H) x 21.6°(V)	
		Wide	94.6°(H) x 68.4°(V)	
	Lens Drive Type		AI (DC)	
Mount Type		Board Type		
Environmental Conditions	Operating Temperature		-40°C ~ 50°C (Fan/Heater Built-in)	
	Operating Humidity		Waterproof	
Power	Power Requirement		AC24V, DC12V, PoE	
	Power Consumption		Heater off (8W), Heater on (11W)	
Physical Specification	Dimensions (WxHxD)	Net	134.5(H) x 160(ø)mm	
		Package	178 x 168 x 178 mm	
	Weight	Net	1,280 g	
		Package	1,520 g	
	Color	Body		White
	Case			Aluminum (IP66)

Network Specifications

ITEMS	SUB-ITEMS		SNC-B5399	
Network Board	OS		Embedded Linux	
	Hardware	Flash memory		32M byte
		RAM		256M byte
		Ethernet		RJ-45 (10/100BASE-T)
		Video Out		VBS 1.0Vp-p
		Audio		Line In / Line Out
		SD Memory Slot		Yes (SD/SDHC)
PoE		Yes (IEEE802.3af)		
Alarm	Input		2 ea	
	Output		2 ea	
Video	Compression		H.264 / MPEG4 / MJPEG Multiple Codec (H.264 / MPEG4 selectable) Simultaneous Dual Streaming	
	Resolution	4CIF	NTSC : 704x480 / PAL : 704x576	
		VGA	640x480	
		CIF	NTSC : 352x240 / PAL : 352x288	
	Frame Rate		NTSC : 30, 15, 8, 3, 1 fps / PAL : 25, 13, 6, 3, 1 fps	
	Quality		1 ~ 10 level(CBR/VBR)	
Audio	Compression		G.711	
	Bi-Directional Communication		Yes	
OSD	Camera Control and Adjustment		OSD menu on Video(Menu enter/exit, move by Web UI)	
Motion Detection	Sensitivity and Area Setting		High, Medium, Low	
Intelligent Video Analytics	Video Analytics		Scene Change, Virtual Line, Enter / Exit, Appear / Disappear	
Protocol	IP		IPv4 / IPv6	
	Network Protocol	IPv4	TCP/IP, UDP/IP, RTP(UDP), RTP(TCP), RTSP, NTP, HTTP, HTTPS, SSL, DHCP, PPPoE, FTP, SMTP, ICMP, IGMP, SNMPv1/v2c/v3(MIB-2), ARP, DNS, DDNS	
		IPv6	TCP/IP, HTTP, HTTPS, SSL, DHCP	
	Streaming		Unicast, Multicast	
	Security		HTTPS(SSL) Login Authentication, Digest Login Authentication, IP Address Filtering	
	DDNS		Supporting Samsung DDNS and Public DDNS services	
	Connection		Maximum User Access	Max 10 Users at Unicast Mode, Max 20 Users at Multicast Mode
User Access Level	Administrator	Live Monitoring, Alarm I/O control, OSD menu control, SETUP		
	Operator	Live Monitoring, Alarm I/O control		
	User	Live Monitoring		
Event Management	Alarm Input		JPEG Image transfer : FTP	
	Intelligent Video Detection		JPEG Image Recording : SD memory	
	Motion Detection		Notification : notify to viewer or by E-mail (one image attachment), Alarm Out	
	Schedule		JPEG Image transfer : FTP, E-mail JPEG Image Recording : SD memory	
Web Browser Viewer(Default)	Supported OS		Windows XP, VISTA	
	Supported Browser		Internet Explorer 6.0 or Higher	
	UI Language		E/F/G/S/I/C/K	
	S/W upgrade		Using Web viewer UI	
Video Player	RTP/RTSP streaming		Quicktime, VLC player	
Video Management Software			Samsung NET-I, 3rd Party S/W application	
Application	IP Installation		IP Installer Application for All Samsung IP Devices	
SDK	HTTP API	CGI Command		Provides functionality to control cameras and set/retrieve internal parameter values. Get JPEG image or MJPEG stream, Alarm In/Out control
		RTP/RTSP API		RTP Header, RTSP Command Document
	ActiveX	SDK		ActiveX API for viewing data streams from Network camera